

# HELIX – THE EXPERT FOR AXIAL THREAD ROLLING

**NOW  
INTRODUCTORY  
PRICE!**

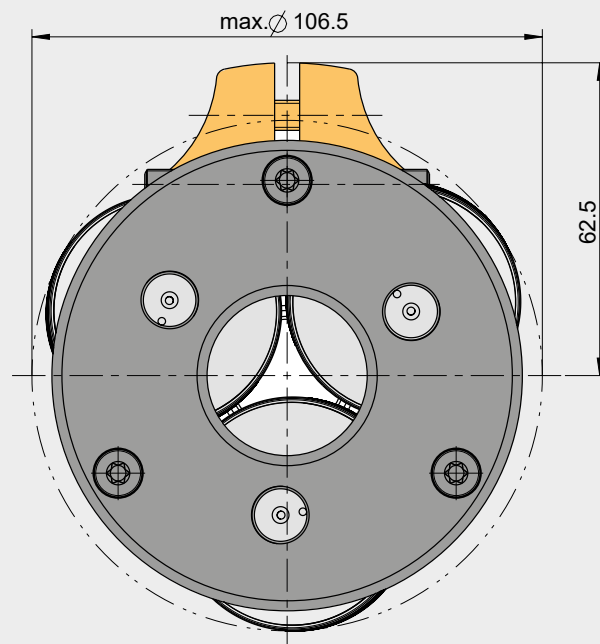
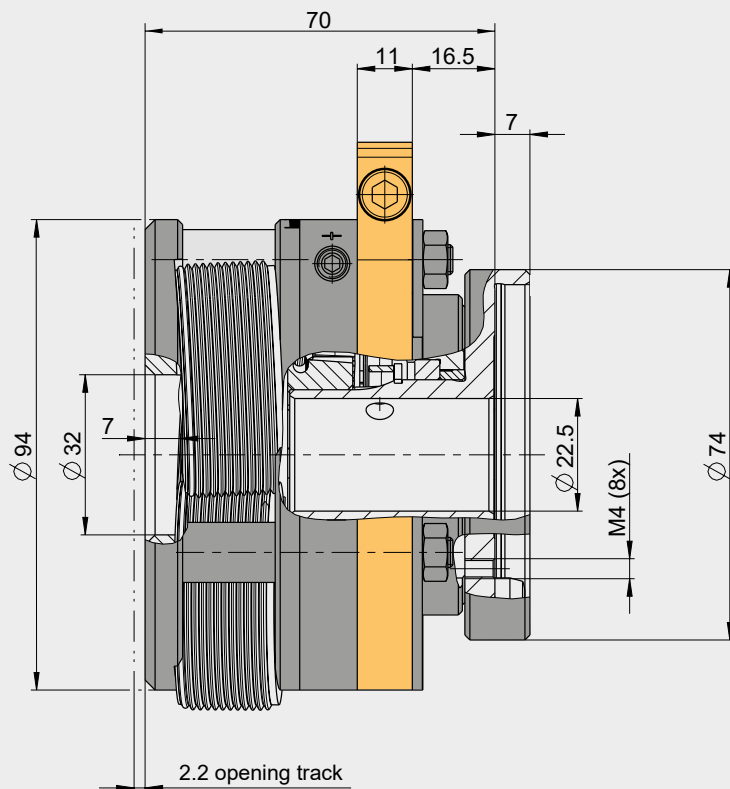
**1,980.– €**

INSTEAD  
OF **2,560.– €**

plus value added tax,  
accessories\*, shipping



\* Accessories: rollers, locking device, shaft



**HELIX RG 22-S** stationary for standard threads up to M22

**HELIX FG 22-S** stationary for fine threads up to M22x2

**HELIX RG 22-R** rotating for standard threads up to M22

**HELIX FG 22-R** rotating for fine threads up to M22x2

Metric ISO thread standard- and fine thread DIN13	American UN/UNC/ UNF/UNEF/UNS thread B1.1	Pipe thread DIN EN ISO 228	Whitworth standard thread BS84 (BSW)	Whitworth fine thread BS84 (BSF)	Pipe thread DIN EN 10226 ISO 7, K1/16	American tapered pipe threads ANSI/ASME B1.20.1 ANSI 1.20.3
M10 to M22	UN... 3/8" to 7/8"	G 1/8" to G 1/2"	BSW 3/8" to BSW 3/4"	BSF 3/8" to BSF 7/8"	R 1/8" to R 1/2"	NPT 1/8" to NPT 1/2"



Illustration with locking device

Rolling head **HELIX**: 2,560.- €  
(Without rollers + shank)

Now only **1,980.- €**

Optional locking device: 1,350.- €  
plus value added tax + shipping

**MORE INFO:**

**WAGNER TOOLING SYSTEMS BAUBLIES GMBH**

sales.wagner@baubles-group.com

phone +49 (0) 7127 973-190

www.wagner-werkzeug.de

**WAGNER**<sup>®</sup>  
TOOLING SYSTEMS